

bluewater[®]

manufacturing corporation

ROMAN DECK BATH SET INSTALLATION INSTRUCTIONS

Please read these instructions and cautions contained in this booklet before installation.

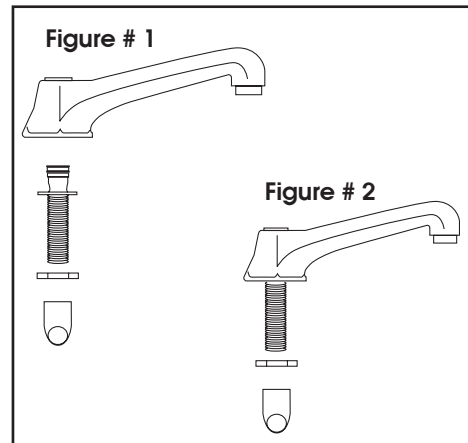


Step 1

Carefully review all preassembled parts. It will be necessary for the various parts to be reassembled exactly as shown.

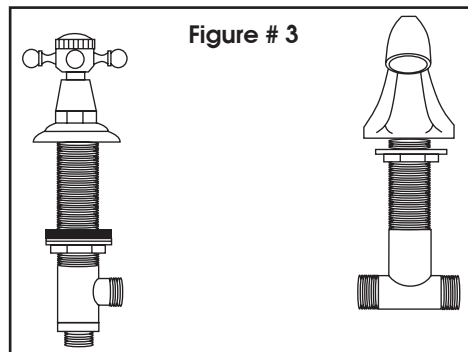
Step 2

Remove the nut from the spout shank. Place the spout shank through the hole in the center of the deck and secure by reapplying the nut to the shank and tightening from the underside. **Fig. 1 shows the Quick connect feature and Fig. 2 shows the standard connection installation.**



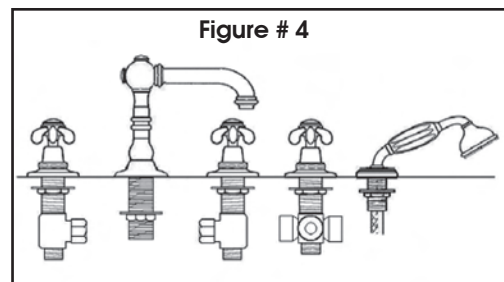
Step 3

The valve marked BLUE is the Cold side. The valve marked RED is the HOT side. Spin the bottom valve-mounting nut all the way down the valve and remove the top nut. Insert the valves up through the bottom of the holes in the deck, then drop on the top-mounting nut (if required). Make sure that the valve outlets are facing the spout. Thread on the nuts while adjusting the valve height to accommodate the faucet handles.



Step 4

Test the height of the valve by temporarily placing the handle over the valve. After you have checked the fitting, test the smooth turn feature of the handle first. Remove handle pieces and tighten the mounting nuts with a basin wrench. **Figure # 4 shows a typical installation.**



Step 5

Using 1/2 3/4" IPS pipe and connections (supplied by others) plumb supply lines to the valve bodies and to the spout tee connection **Fig. 3.**

Caution

High heat can damage internal parts or the roman tub valve. Please take care when sweating connections to the Roman tub valves. Stay 3" to 6" away from valve.

When installation is complete, turn on water slowly and check the installation for any leaks.

For replacement parts, please contact Bluewater Manufacturing Corporation @ 877-890-8006 or fax your request to 877-373-0649
Website: www.Bluewaterfaucet.com E-Mail: mstrein@optonline.net

bluewater[®]

manufacturing corporation

Bluewater products meet or exceed all ANSI/ASME standards.
Tested to ASME A112.18.1M/ASSE 1016

Bluewater products comply with Section
9 of NSF 61

Flow rates:
Showerheads 2.5 GPM/9.5 LPM
Aerators 2.2 GPM/8.3 LPM

• Cautions •

- Care should be taken during installation to protect all components during construction.
- Before removal of old faucet, always turn off water. Open faucet handles to alleviate water pressure and to insure that complete water shut off has been accomplished.
- Carefully flush all water lines before installation.
- After faucet installation, remove aerator and flush all water lines again. **FAILURE TO DO SO MAY RESULT IN DAMAGE TO INTERNAL PARTS.**
- Plumbers putty is not recommended. Use of caustic substances or acidic curing products for installation may harm or cause the faucet or fitting to not function properly.
- Failure to follow all instructions may cause damage or improper operation and nullify the warranty.

Valve Care

Your 1/4 turn ceramic valve will provide you a lifetime of service when cared for properly. The most common valve problem is a result of debris in the water line, such as sand, silt, solder, metal shavings, lime deposits or other foreign particles. Debris can become lodged between the ceramic discs and result in improper functioning of the open and close action of the valve. Particles can even cause cracks in the ceramic discs and render the cartridge useless. For further information, please contact Bluewater Manufacturing Corporation @ 877-890-8006 or fax your request to 877-373-0649

To register your new faucet for warranty claims go to www.bluewaterfaucet.com or call customer service and ask for a warranty registration form to be sent to you.

For replacement parts, please contact Bluewater Manufacturing Corporation @ 877-890-8006 or fax your request to 877-373-0649 Web Site: www.Bluewaterfaucet.com E-Mail: mstrein@optonline.net

VALVE CARE

Your 1/4 turn ceramic valve will provide you a lifetime of service when cared for properly. The most common valve problem is a result of debris in the water line, such as sand, silt, solder, metal shavings, lime deposits or other foreign particles. Debris can become lodged between the ceramic discs and result in improper functioning of the open and close action of the valve. Particles can even cause cracks in the ceramic discs and render the cartridge useless. For further information, please contact Bluewater Manufacturing Corporation @ 877-890-8006 or fax your request to 877-373-0649

BLUE WATER MANUFACTURING CORPORATION LIMITED PRODUCT WARRANTY

Product/Finish Warranty: Bluewater Manufacturing Corporation warrants that products are free from manufacturing defects in materials and workmanship for five (5) years from date of invoice. In addition, our Finish Warranty provides limited LIFETIME coverage for Chrome & PVD finishes, five (5) years for powder coated finishes & Polished Gold. Living finishes are warranted for workmanship only. If any material proves to be defective after inspection by our company, it will be repaired or replaced at our discretion at no charge. However, no claims for labor, shipping costs, or consequential damages will be accepted.

What we will do: We will restore any product whose finish proves to be defective back to its original finish at no charge during the appropriate warranty period stated above. Proof of purchase must be provided. After the warranty period, **Bluewater Manufacturing Corporation** will refinish any of its faucets at the prevailing appropriate charge.

What you must do: The faucets must be properly installed according to our instructions and specifications and are for residential use only. The faucets cannot be altered in any way. You must maintain and clean the faucets in accordance with the instructions provided with the product. You must use the faucet(s) for residential use only.

How to obtain service: Send your name, address, and telephone number along with a statement describing the nature of the problem and your paid sales slip or other proof of purchase to:

BLUE WATER MANUFACTURING CORPORATION
3231-C Business Park Drive #31
Vista, CA 92081

We will then contact you and take appropriate action. Do not send us any part(s) of your faucet(s) or its various connecting hoses unless we have contacted you and have sent you an approved RGA form. All transportation charges for returned goods must be paid by the customer.

What is not covered: This warranty does not cover the crystal/glass, or porcelain products of any faucet or the drain assembly or aerator on other than the Chrome or PVD finishes. This warranty also does not cover damage caused by accident, alterations, misuse, abuse, normal wear and tear, lime deposits, direct exposure to salty air or corrosive materials, or the color change that takes place with the passage of time, or use in any manner contrary to **Bluewater Manufacturing Corporation's** printed instructions. Cartridge warranties vary. Please call factory for details. In the case of in-the-wall installations, **Bluewater Manufacturing Corporation** will assume no liability if there is no access. **In no event will we be liable for labor of any kind, incidental or consequential damages.** This warranty is extended in lieu of all other expressed or implied warranties, whether oral or written. **Many installation compounds are harmful to brass and metal finishes. The use of any lead-based or acidic curing adhesive, silicone, mastic, or plumber's putty on or near our finished products will void the finish warranty. Use only sealants which are neutral curing and are not reactive with metal and brass finishes.** **Bluewater Manufacturing Corporation** reserves the right to change, modify or alter its products as deemed necessary. This warranty supersedes any other American Faucet & Coatings Corporation warranties, whether oral or written.

*Unless otherwise contrary to state law governing the purchase, **Bluewater Manufacturing Corporation's** liability will not exceed the wholesale price for the **Bluewater Manufacturing Corporation** product considered defective. This warranty gives you specific legal rights, and you may also have other rights which vary from state to state. Some states do not allow exclusion of incidental or consequential damages, so the above limitation may not apply to you.*

LIFETIME WARRANTY ON 1/4 TURN CERAMIC DISC CARTRIDGE

Should the ceramic disc cartridge in your faucet ever fail, **Bluewater Manufacturing Corporation** will replace the failed part free of charge to the original purchaser of the product. Your cost will be a \$7.95 handling and mailing charge. Labor not included. When ordering replacements, denote for widespread or centerset lavatory, Roman Tub, or other. Include age of faucet. (This does not include thermostatic, pressure balance, or diverter cartridges.)

NOTICE

Bluewater Manufacturing Corporation products are IAPMO listed and are tested to ASME A112.18.1M and ASSE 1016, and comply with Section 9 of NSF 61 for basin faucet, bar faucets, and kitchen faucets as required.

Bluewater Manufacturing Corporation